

Power Supply Unit

Plug-in, switching



Fixed, regulated output voltage

Interchangeable mains contact for adapting to different countries

Wide input voltage range

Interchangeable, reversible secondary contact

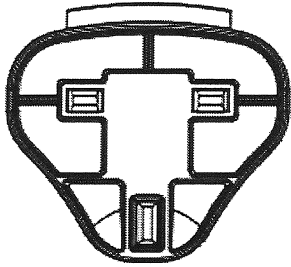
SPECIFICATION:

Output voltage	12 VDC
Output current	1.3 A
Power	15.0 W
Input voltage	100...240 VAC
Connection, secondary side	Cable, 1.8 m with reversible and interchangeable connector for 2.1 mm pin
Polarity	Reversible
Connection, primary side	Interchangeable adapter

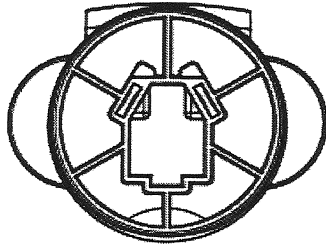


Art. Nr.

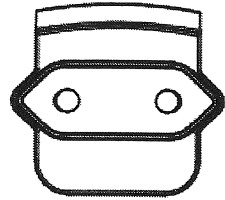
SA115L-12



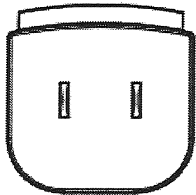
UK



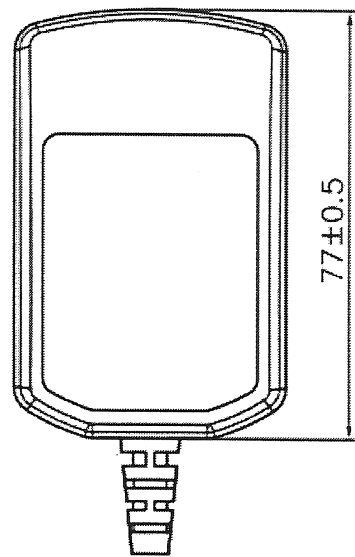
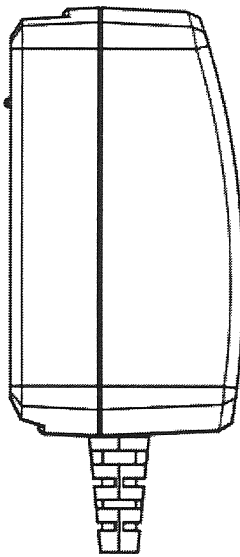
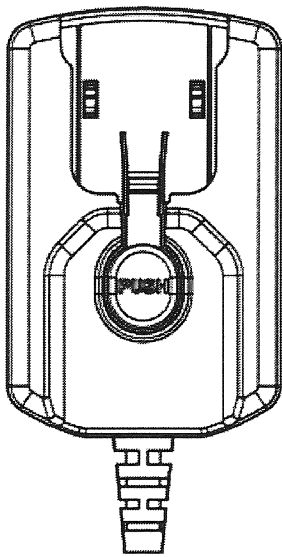
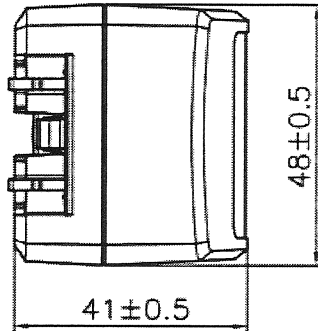
SAA



VDE



UL

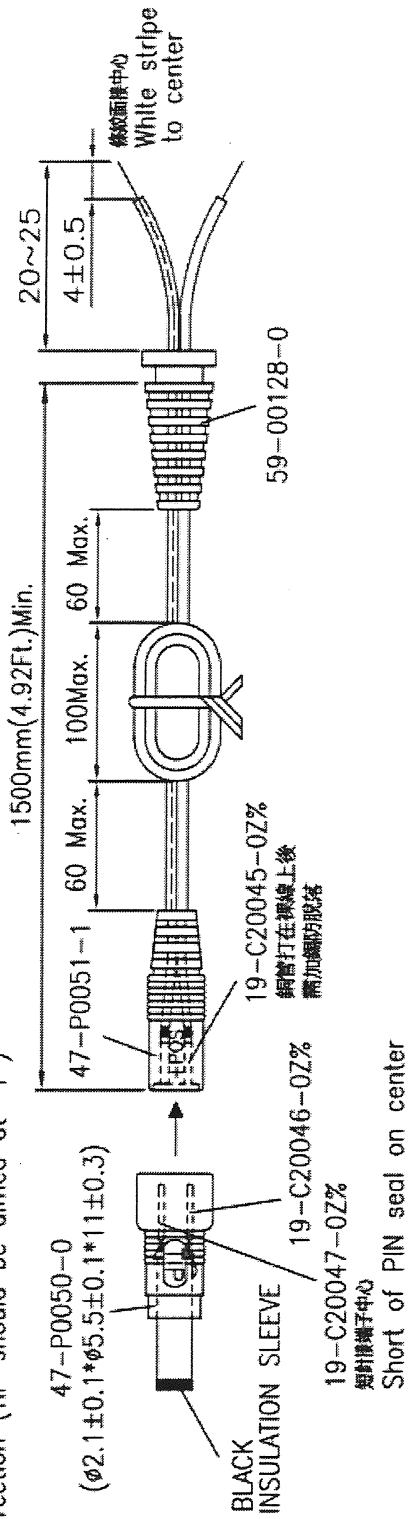


入料時47-P0050-0需套入47-P0051-1之配合位拔力為0.5-3.0KG/F

* 注意方向性 (TIP 對準 +POS)

Part no 47-P0050-0 should be lubed in 47-P0051-1

* Note direction (TIP should be aimed at "+")



REV.	DESCRIPTION			DATE\REVISER		DWG. NAME
	DESIGN	CHECK	APPROVED	Q'TY	UNIT	MODEL
						MATERIAL
						TREATMENT
						DWG. NO.
						DC CORD
						P.V.C
						S89-P0050-002%
						2015.09.25
						MANUFACTORY
						ONTOP ELEC. CO., LTD.

SAMPLE NAMEPLATE

